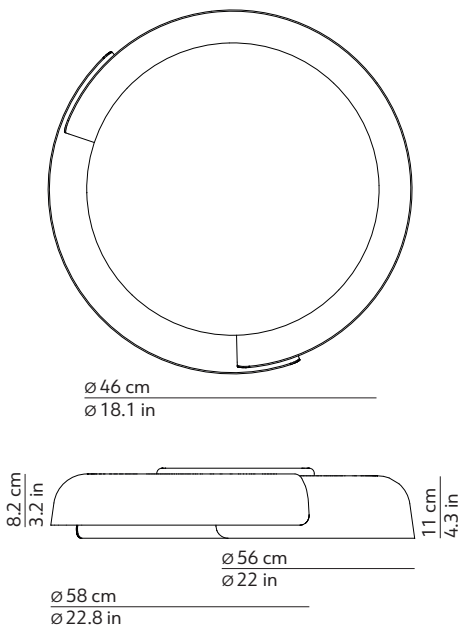




TECHNICAL DRAWINGS



CODES

220-240 V

K503420GL	2700K - dark grey + wood finish
K503420SL	2700K - sand + wood finish
K503420GC	2700K - dark grey + concrete finish
K503420SC	2700K - sand + concrete finish
K503420GR	2700K - dark grey + copper
K503420SR	2700K - sand + copper
K503420BB	2700K - white
K503420GL30	3000K - dark grey + wood finish
K503420SL30	3000K - sand + wood finish
K503420GC30	3000K - dark grey + concrete finish
K503420SC30	3000K - sand + concrete finish
K503420GR30	3000K - dark grey + copper
K503420SR30	3000K - sand + copper
K503420BB30	3000K - white

120 V

K503420GLUS	2700K - dark grey + wood finish
K503420SLUS	2700K - sand + wood finish
K503420GCUS	2700K - dark grey + concrete finish
K503420SCUS	2700K - sand + concrete finish
K503420GRUS	2700K - dark grey + copper
K503420SRUS	2700K - sand + copper
K503420BBUS	2700K - white
K503420GL30US	3000K - dark grey + wood finish
K503420SL30US	3000K - sand + wood finish
K503420GC30US	3000K - dark grey + concrete finish
K503420SC30US	3000K - sand + concrete finish
K503420GR30US	3000K - dark grey + copper
K503420SR30US	3000K - sand + copper
K503420BB30US	3000K - white

TECHNICAL DATA

Dala 2700K

Light source type	Board LED
Lamp power	1 x 42 W
Source luminous flux	4200lm
Colour temperature	2700 K
CRI	>90
Feeding	220-240 V / 120 V
Dimmable	Phase cut

Dala 3000K

Light source type	Board LED
Lamp power	1 x 42 W
Source luminous flux	4350lm
Colour temperature	3000 K
CRI	>90
Feeding	220-240 V / 120 V
Dimmable	Phase cut

PRODUCT INFORMATION

Installation Ceiling, Wall
Net weight 6 kg / 13.20 lbs

Lower element

Colour Dark grey or
Sand or
White
Finish Matte
Material Coated metal

Upper element

Colour Wood finish or
Concrete finish or
Copper finish or
White
Finish Matte
Material Metal coated or hydro dip (wood finish)

Diffuser

Colour White
Finish Matte
Material Rotational-moulded polyethylene

PACKAGING

Box 1 Structure + lower element
Dimensions L x W x H 61 x 61 x 18 cm / 24 x 24 x 7.1 in
Volume 0.067 m³ / 2.365 ft³
Gross weight 7.7 kg / 16.94 lbs

Box 2 Upper element
Dimensions L x W x H 61 x 27 x 9 cm / 24 x 10.6 x 3.5 in
Volume 0.015 m³ / 0.523 ft³
Gross weight 1 kg / 2.2 lbs